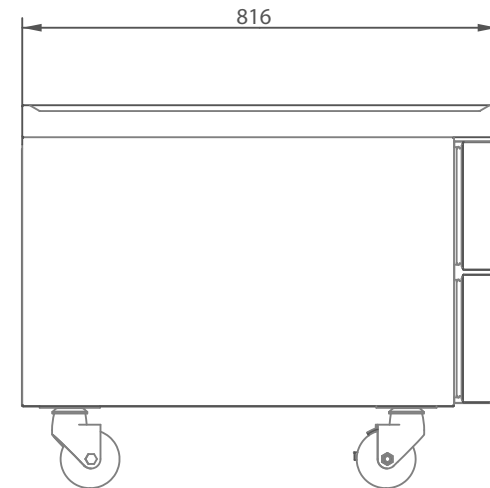
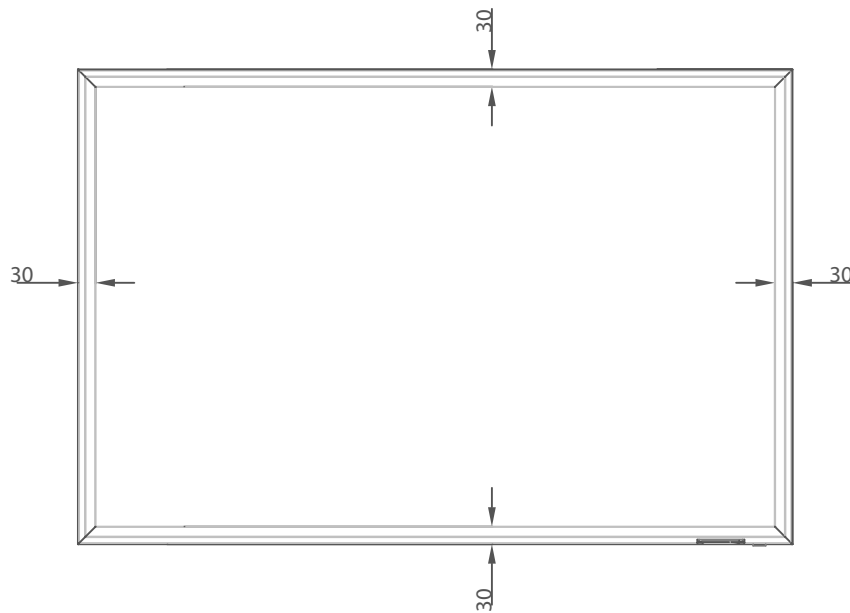
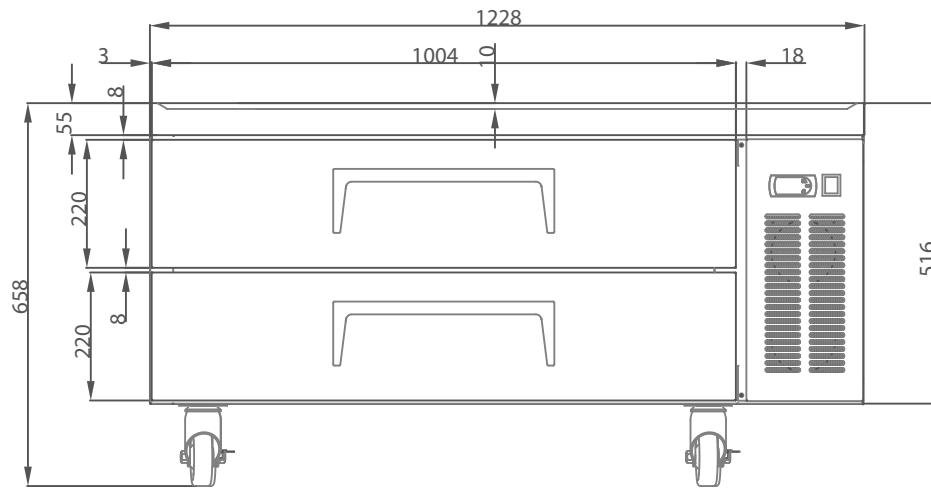




Equipment for the Foodservice Industry  
value + quality + service

VANCOUVER, BC  
TORONTO, ON



**CCB-48**

[www.efifoodequip.com](http://www.efifoodequip.com)